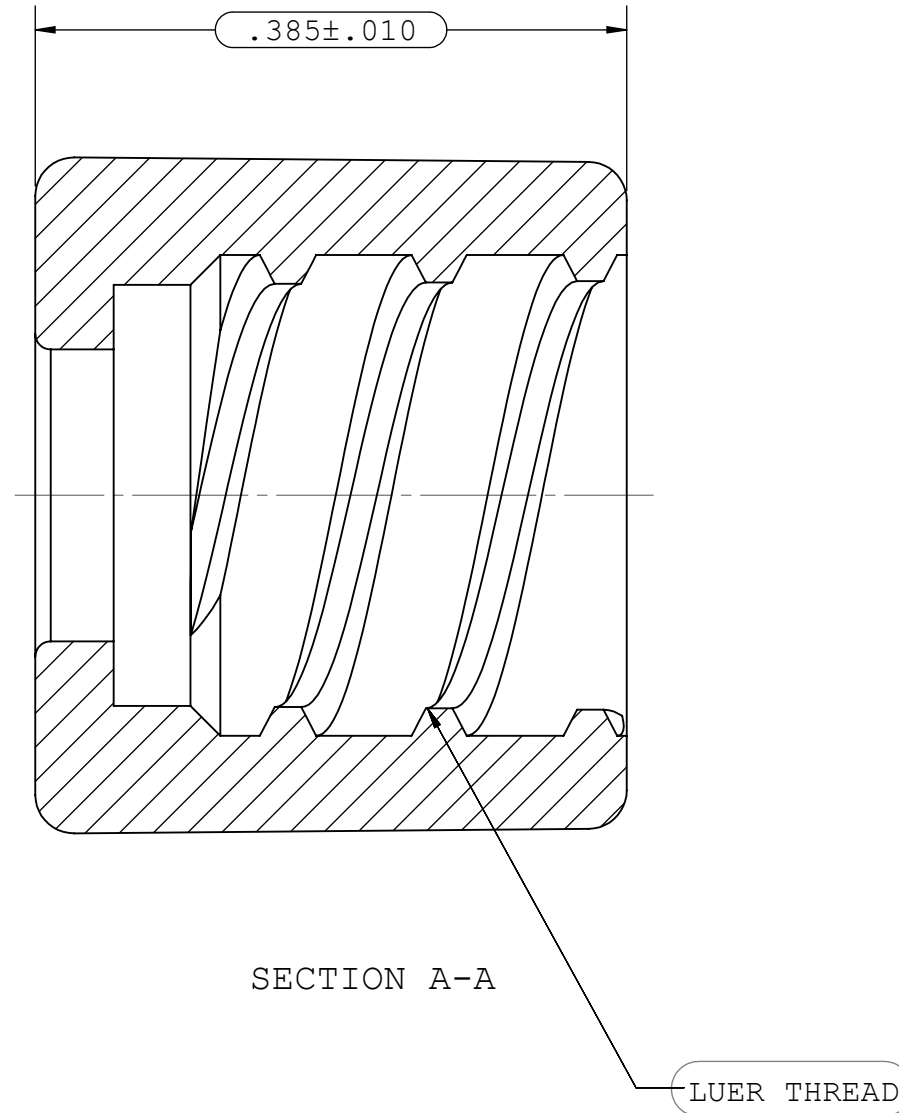
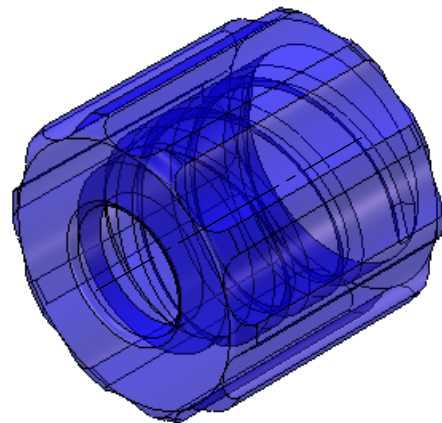
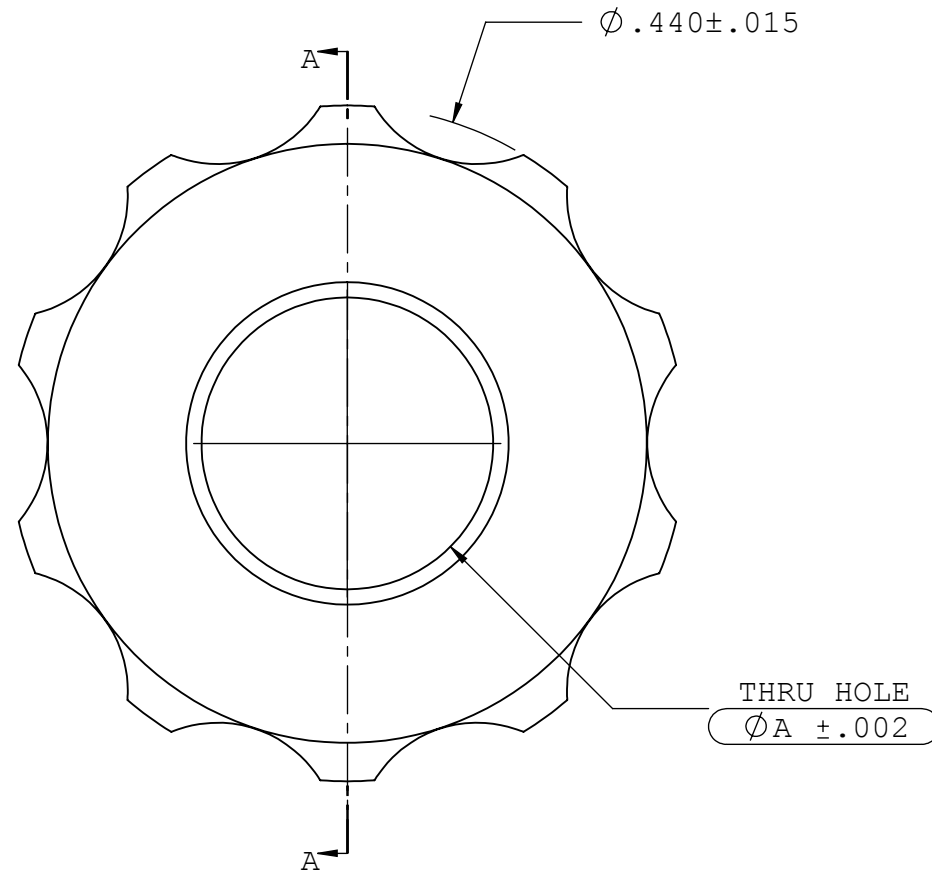


NOTES: FOR ADDITIONAL DETAILS, PLEASE CONTACT VP PRODUCT DEVELOPMENT  
 DIMENSIONS MARKED  ARE CONTROL DIMENSIONS

REVISIONS			
REV.	DESCRIPTION	DATE	APPROVED
A	INITIAL RELEASE	06-17-03	
B	CO 013 Drafting Update	04-25-05	Rick C.
C	ECO 096 Drafting Update and make Thru Hole Material Specific	10-10-08	Rick C.



Dimension	Material Specific Tolerances							
	Nylon	PP	PC	PVDF	-9006	-9007	-9008	-9009
A	0.191	0.191	0.191	0.191	0.190	0.190	0.190	0.190
B								
C								
D								
E								
F								

UNLESS OTHERWISE SPECIFIED DIMENSIONS ARE IN INCHES TOLERANCES ARE:		<b>VALUE PLASTICS, INC</b>				
FRACTIONS	DECIMAL					ANGULAR
$\pm$	.XX $\pm$ .01	$\pm$ 1°	DESCRIPTION: ROTATING LUER LOCK RING			
	.XXX $\pm$ .005					
	.XXXX $\pm$ .001					
DO NOT SCALE DRAWING		SIZE: <b>B</b>	SCALE: NTS	VER:	DWG. NO. 1005586	REV: C
DRAWN BY: randy.sakurada		DATE: 10/15/2008		© 2008 VALUE PLASTICS, INC		SHEET: 1 OF 1
ENGINEERING MGR: R. Cairns						

**FOR REFERENCE ONLY**